

E-mail: sales@aquatreaduwt.com
 South Africa : +27 79 718 54 99
 Australia : +61 48 771 18 84
 USA : +1 305 879 2516



HM1700 Underwater Treadmill

- 1.5m belt length
- Adjustable belt speed up to 10km/hr
- Motorised incline
- Working platforms
- Jets and massage attachment
- Fold-down exercise seat
- Sliding Hooks for harness
- Remote control
- LCD touch screen display
- Filtration and sanitizing system
- Large water storage tank
- Custom installation
- Assistance with layout design



Contact Aquatread
for information
and quote

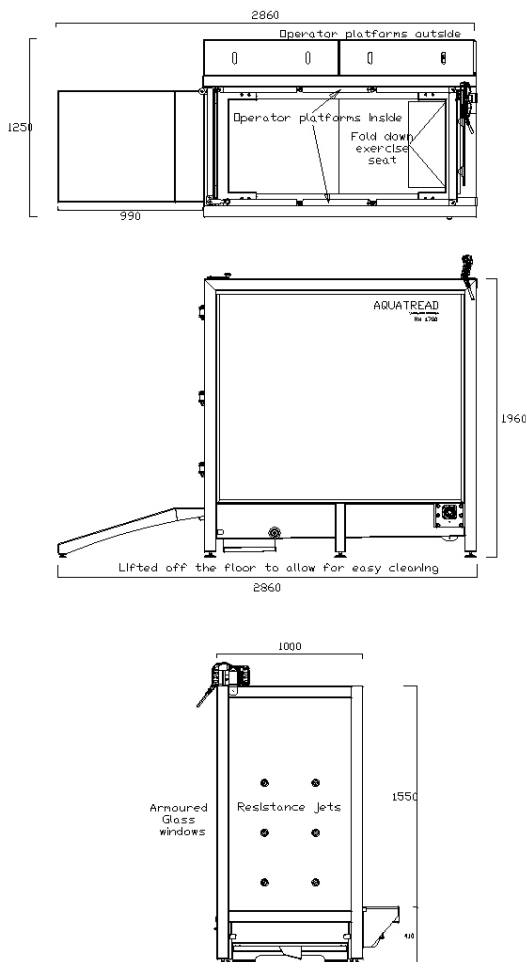
Choose your
model

Design and
prepare site

Manufacture

Custom
Installation

Service Training



Site Requirements

Space:

- Consultation for most appropriate configuration of space available.
- Customised corner or extended platform ramps are available for easier and safer access.
- A drain in the floor is recommended.
- Floor load bearing capacity must be adequate. A full treadmill can weigh up to 2800kg.

Access:

- The system is delivered crated, to be unpacked and installed by our technical personnel.
- No heavy equipment is required for installation.

Electrical:

- 220/240V (or 380/400V)
- Dedicated circuit breaker of min 32A in site DB.
- Power supply to our DB, positioned at the machine, should be installed by your electrician (3- core x 4mm cable minimum, depending on the distance of the power supply from the machine).
- As a safety feature, the system has its own earth leakage protection installed and cannot be connected to your existing earth leakage protector. Your electrician will install a separate isolator depending on municipal/council requirements.



E-mail: sales@aquatreaduwt.com
 South Africa : +27 79 718 54 99
 Australia : +61 48 771 18 84
 USA : +1 305 879 2516